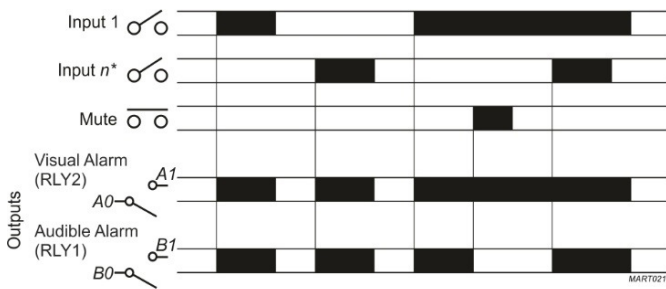


Dims: to DIN  
43880  
W. 53mm

- ❑ 53mm wide, DIN rail housing
- ❑ Allows up to 10 inputs
- ❑ Any one input will energise both output relays
- ❑ Separate relays for Audible and Visual Alarm
- ❑ Mute input to silence Audible Alarm output
- ❑ If previously muted, Audible Alarm relay will re-energise if another input is made live
- ❑ 3 Voltage options available
- ❑ 2 x SPNO relay outputs 8A
- ❑ Expandable using M1MIX and M3MIX diode extension modules



### FUNCTION DIAGRAM



\* Input n can be any of the remaining inputs i.e. 2....10

### TECHNICAL SPECIFICATION

Working Supply voltage Un* (Any "Input" or "Mute", N):	24, 115, 230V* AC	<b>* Please state Supply voltage when ordering</b>
Frequency range:	48 – 63Hz	
Supply variation:	+/-15%	
Overvoltage category:	III (IEC 60664)*	
Rated impulse withstand voltage:	4kV (1.2/50µs) IEC 60664*	
Power consumption (max.):	3VA	
Reset time:	≈ 100ms	
Minimum trigger time:	≈ 50ms (Mute)	
Ambient temperature:	-20 to +60°C	
Relative humidity:	+95% max.	
<b>RLY1 and RLY2 Outputs (A0, A1, B0, B1):</b>	2 x SPNO relay	
Output rating:	AC1	250V 8A (2000VA)
	AC15	250V 3A
	DC1	25V 8A (200W)
Electrical life:	≥ 150,000 ops at rated load	
Dielectric voltage:	2kV AC (rms) IEC 60947-1	
Rated impulse withstand voltage:	4kV (1.2/50µs) IEC 60664	
Housing:	Grey (RAL 7035), Self-extinguishing PPO	
Weight:	110g	
Mounting option:	On to 35mm symmetric DIN rail to BS EN 60715	
Terminal conductor size:	≤ 2.5mm <sup>2</sup> stranded, ≤ 4mm <sup>2</sup> solid	
Terminal screw:	M2.5	
Tightening torque:	0.4Nm Max.	
Approvals:	Conforms to IEC, CE,  and RoHS Compliant. EMC: Immunity: EN 61000-6-2 Emissions: EN 61000-6-4	

### INSTALLATION



Installation work must be carried out by qualified personnel.

- BEFORE INSTALLATION, ISOLATE THE SUPPLY.
- Connect the unit following the diagram shown below. The number of inputs required will depend on the application.
- Ensure the Auxiliary supply voltage matches that of the rating of the product.

**Note:** All inputs must be the same phase with the common neutral.

#### Testing.

- Close any one of the connected Input switches and the output relays RLY1 (Audible Alarm) and RLY2 (Visual Alarm) will energise.
- Open the Input switch and both output relays will de-energise

#### Testing "Mute" input.

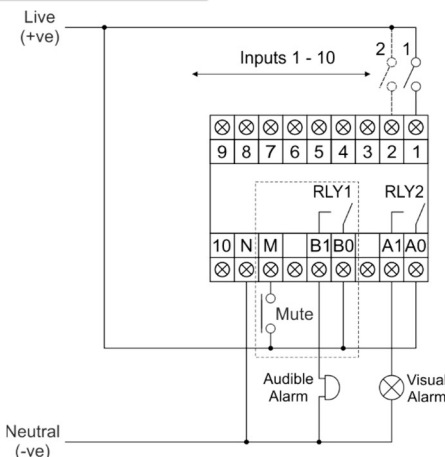
- Close any one of the connected Input switches to energise output relays RLY1 and RLY2.
- Activate the "Mute" push button and RLY2 will de-energise silencing the connected Audible Alarm.
- Activating the same (or another) input will cause RLY2 to re-energise and hence sound the Audible Alarm again.

#### Troubleshooting.

If the product fails to operate as described above, check all wiring and voltage present.

**Please note: Terminal layout different to previous product M5MART**

### CONNECTION DIAGRAM



### DIMENSIONS

